



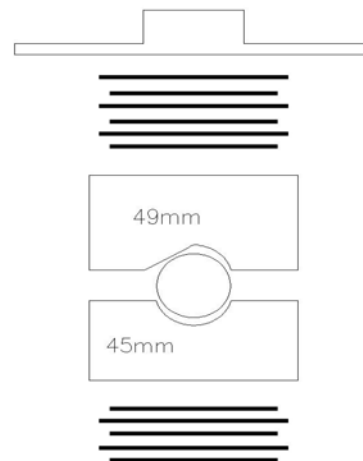
Differential specifications for Mitsubishi RWD Historic

Between side bearings = 110 mm
 Side bearing diameter = 41.30 mm
 Weight = 6.75 Kg
 12 Friction faces 6 + 6
 CW – ID = 112 mm

Parts list

Part number	Quantity	Description
57112600	1	Housing
58261100	1	Cover
57500200	1	45 mm side shell
5750****	1	49 mm ramp (see options)
35401200	2	Side gear
35380200	4	Planet gear
34050500	2	Cross pin
27010100	6	Friction disc
27020300	5	Diff plate
20513010	1	Pin 3 x 9.8

Mitsubishi RWD Historic



Ramp Options

57500100 30/30 and 45/45 on same ramp
 57500700 30/80 and 40/80 on same ramp
 57501200 55/55 and 65/65 on same ramp